

Customers \_\_\_\_\_

Date: \_\_\_\_\_ Y \_\_\_\_\_ M \_\_\_\_\_ /D \_\_\_\_\_

Tel \_\_\_\_\_ Fax \_\_\_\_\_

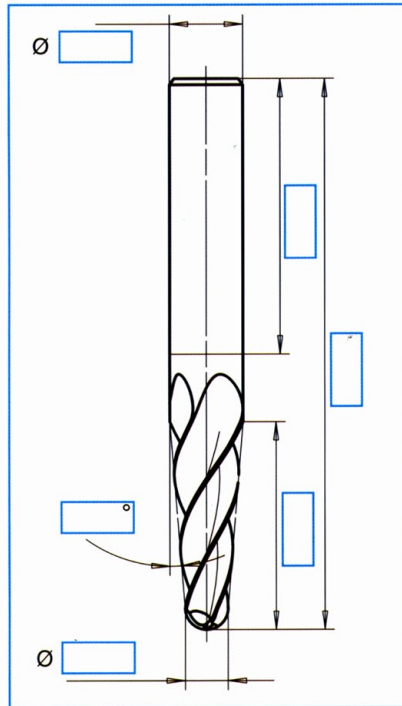
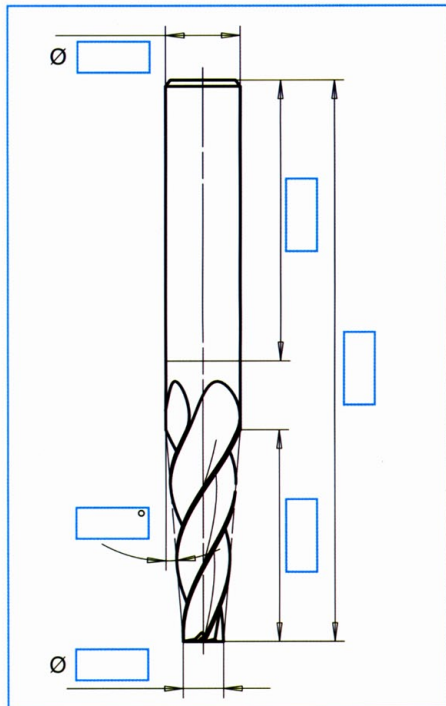
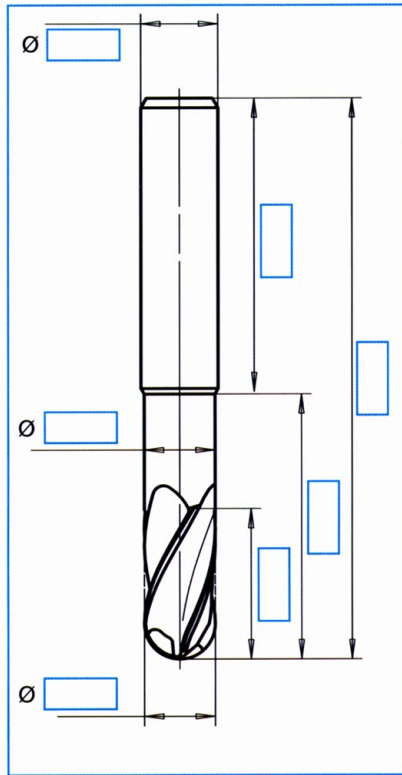
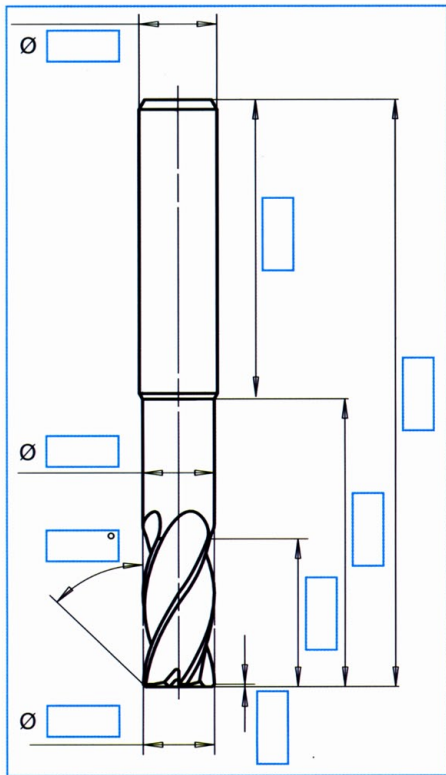
material to be cut \_\_\_\_\_ Hardened \_\_\_\_\_

contac \_\_\_\_\_ Ext \_\_\_\_\_

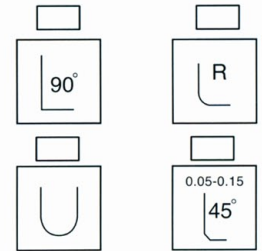
Works Type Ap:  mm Ae:  mm

E-mail: \_\_\_\_\_

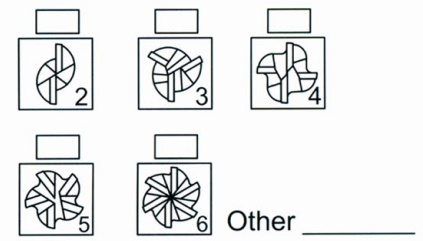
Quantities, pcs \_\_\_\_\_ conting  Coating  Uncoating



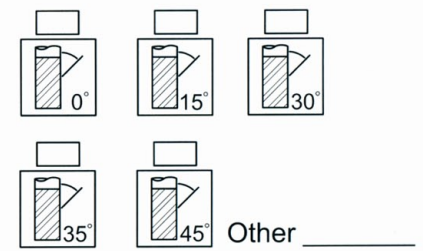
corner of cutting angle



teeth



Helix Angle



Remarks \_\_\_\_\_  
 \_\_\_\_\_  
 \_\_\_\_\_  
 \_\_\_\_\_