

Customers \_\_\_\_\_

Date: \_\_\_\_\_ Y \_\_\_\_\_ M \_\_\_\_\_ D \_\_\_\_\_

Tel \_\_\_\_\_ Fax \_\_\_\_\_

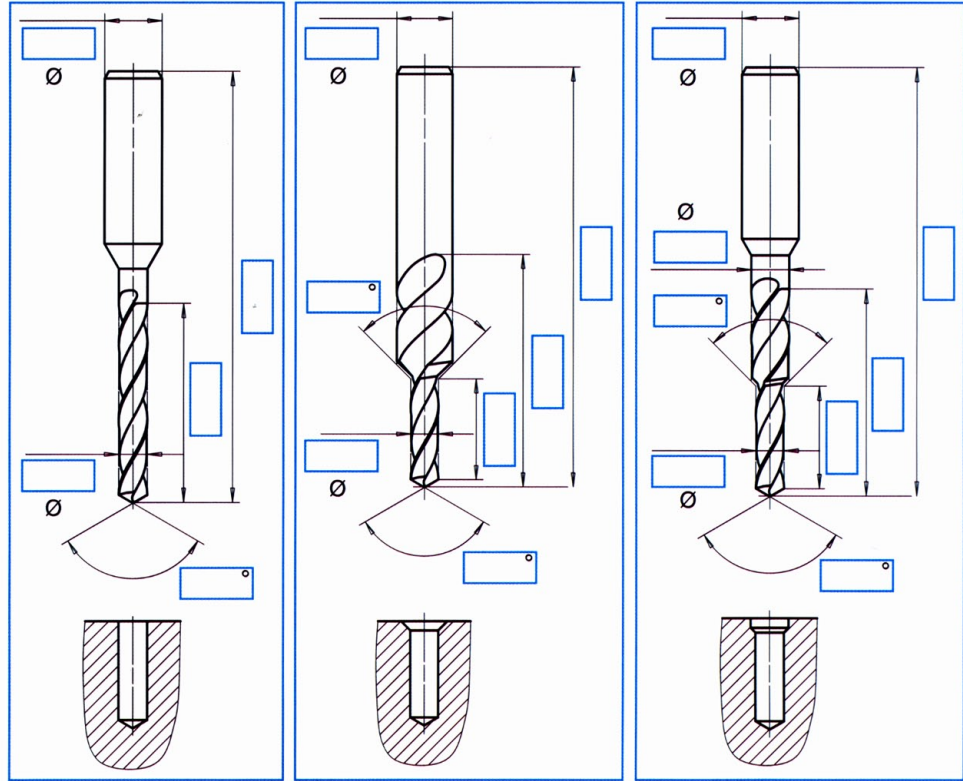
material to be cut \_\_\_\_\_ Hardened \_\_\_\_\_

contact \_\_\_\_\_ Ext \_\_\_\_\_

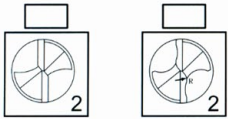
Works Type Dp:  mm coolant holes:  yes  no

E-mail: \_\_\_\_\_

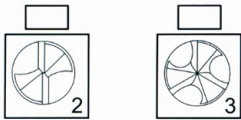
Quantities, pcs \_\_\_\_\_ contig  Coating  Uncoating



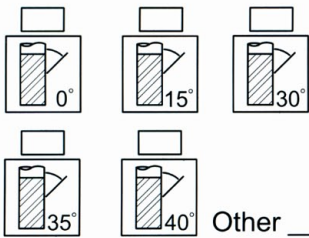
Point Type



Teeth

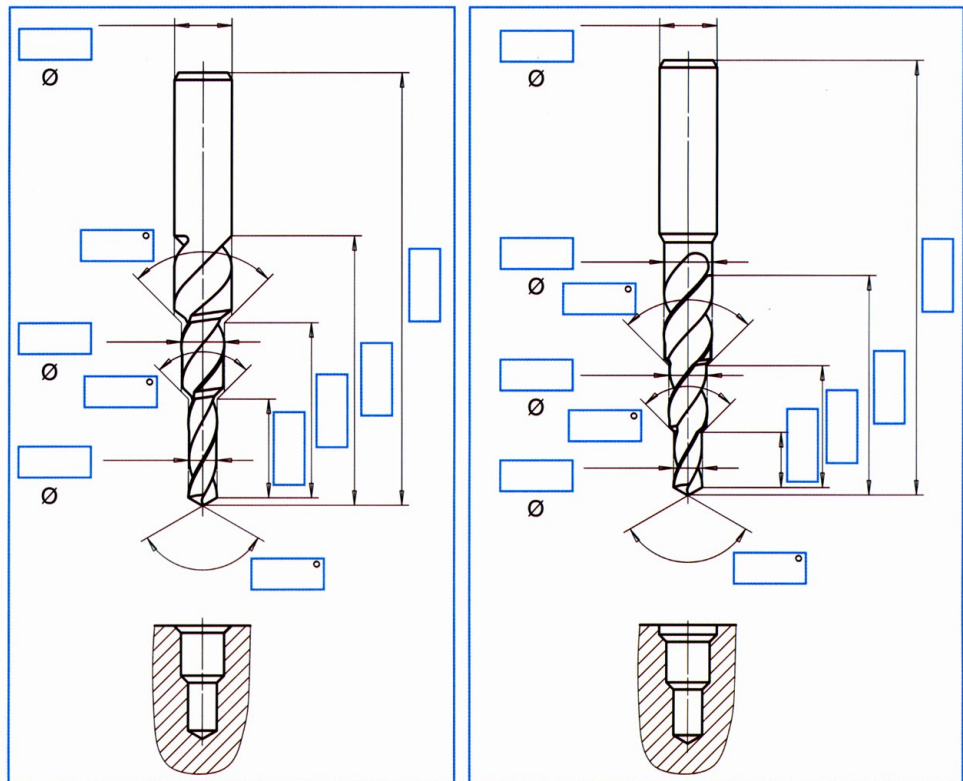


Helix Angle



Other \_\_\_\_\_

Remarks



\_\_\_\_\_

\_\_\_\_\_

\_\_\_\_\_

\_\_\_\_\_

\_\_\_\_\_